

DS-2AE4562(N) series

650TVL Analog IR PTZ Dome Camera

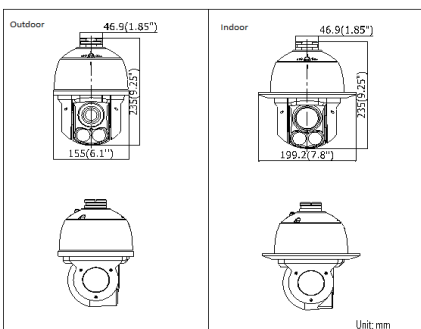
Compact-sized



Key features

- 1/3" SONY Interline Transfer EXview HAD-II CCD
- 650TVL horizontal resolution
- 12X optical zoom, 16X digital zoom
- Up to 50m IR distance
- True Day/Night, 3D DNR, D WDR
- 3D intelligent positioning
- Alarm input & output

Dimensions



Accessories



Available models

DS-2AE4562-A, 24VAC, outdoor
DS-2AE4562-A3, 24VAC, indoor

	DS-2AE4562(N)-A (outdoor)	DS-2AE4562(N)-A3 (indoor)
Camera		
Image sensor	1/3" SONY Interline Transfer EXview HAD-II CCD	
Effective pixel	PAL: 976(H)×582(V) / NTSC: 976(H)×494(V)	
Horizontal resolution	Color: 650 TVL / B/W: 700 TVL	
Min. Illumination	Color: 0.1Lux/ (F1.6 AGC ON) ; B/W: 0.01Lux/(F1.6 AGC ON)	
White balance	Auto/ATW/Indoor/Outdoor/One push	
AGC	Auto / Manual	
S / N ratio	≥ 50dB	
Digital noise reduction	3D DNR	
Backlight compensation	BLC	
Wide dynamic range	Digital WDR	
Shutter speed	PAL: 1/50 ~ 1/10,000s ; NTSC: 1/60 ~ 1/10,000s	
Day & Night	IR Cut Filter	
Digital zoom	16X	
Privacy mask	8 privacy masks programmable, optional multiple colors and mosaics	
Focus model	Auto / Semiautomatic / Manual	
Lens		
Focal length	3.8 ~ 45.6mm,12X	
Zoom speed	Approx. 2s (Optical Wide-Tele)	
Angle of view	50.69 ~ 4.5degree (Wide-Tele)	
Min. working distance	10 ~ 1500mm (Wide-Tele)	
Aperture range	F1.6 ~ F2.7	
Pan and Tilt		
Pan / Tilt Range	Pan range: 360° endless; Tilt range: -5°-90°(Auto Flip)	
Pan / Tilt Speed	Pan Manual Speed: 0.1° -160°/s, Pan Preset Speed: 160°/s Tilt Manual Speed: 0.1°-120°/s, Tilt Preset Speed: 120°/s	
Proportional Zoom	Rotation speed can be adjusted automatically according to zoom multiples	
Number of Preset	256	
Patrol	8 patrols, up to 32 presets per patrol	
Pattern	4 patterns, with the total recording time not less than 10 minutes	
Power-off Memory	Support	
Park Action	Preset / Patrol / Pattern / Pan scan / Tilt scan / Random scan / Frame scan / Panorama scan	
PTZ Position Display	Support	
Zone Scanning/Display	Scanning within programmed zone, display zone title	
Camera Title	Programmable title display	
Compass	Support , the north can be set	
Scheduled Task	Preset / Patrol / Pattern / Pan scan / Tilt scan / Random scan / Frame scan / Panorama scan	
RS-485 communication diagnosis	Including failure information, e.g., wrong address, baud rate errors, et., displayed on the video screen in text	
Manchester code communication diagnosis	Including failure information, e.g., wrong address, baud rate errors s displayed on the video screen in special characters	
IR		
IR distance	Up to 50m	
IR intensity	Automatically adjusted, depending on the zoom ratio	
Local output		
Video output	1.0V[p-p] / 75Ω, NTSC (or PAL) composite, BNC	
General		
RS-485 Protocols	HIKVISION, Pelco-P, Pelco-D, self-adaptive	
Power	-A: 24 VAC (12 VDC optional), max.18 W -A3: 24 VAC (12 VDC optional), max. 12W	
Working Temperature	-A: -30°C ~ 65°C (-22°F ~ 149°F) -A3: -10°C ~ 50°C (14°F ~ 122°F) (indoor dome),	
Humidity	90% or less	
Protection Level	IP66 (outdoor dome) TVS 4,000V lightning protection, surge protection and voltage transient protection	
Dimension	Φ155×235mm (Φ6.10"×9.25") Φ199.2×235mm (Φ7.80"×9.25")	
Weight	Approx. 2Kg (4.41lbs)	
Mount Option (outdoor dome)	Long-arm wall mount: DS-1601ZJ; Short-arm mount: DS-1618ZJ Pendent mount: DS-1661ZJ(20cm) or DS-1662ZJ(50cm)	

NOTE: Indoor models only support in-ceiling mount.